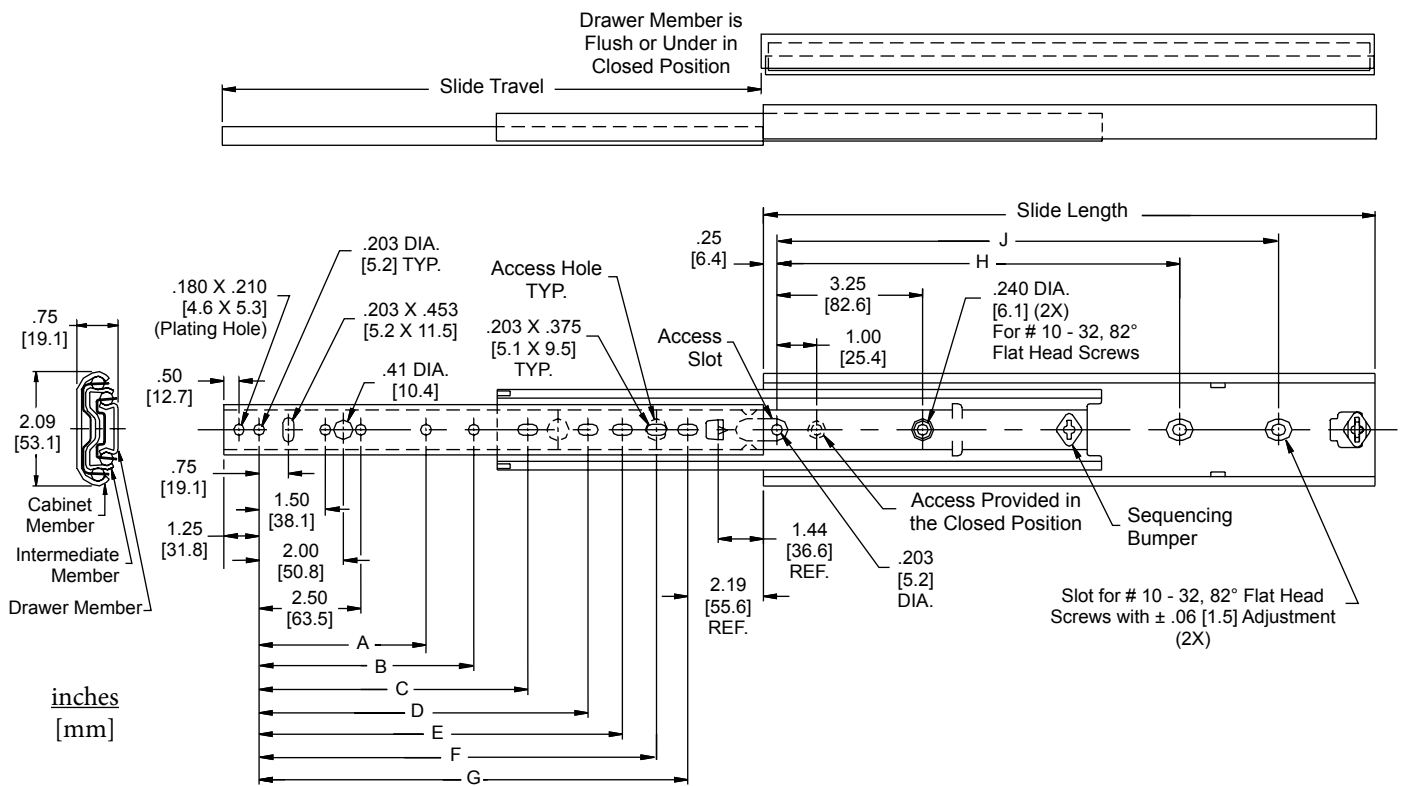


APPLICATIONS: Wide drawers and trays, bulk storage bins or pullout shelving units in wood and metal cabinets or cases.

Heavy-Duty Slide
Full Extension
Up to 273-lb. [124 kg.] Load Capacity**



Finish Bright electro-zinc (C) plating

Lengths 12" to 28" [305mm to 711mm]

Height 2.09" [53.1mm]

Load Capacity Moderate use: Up to 273 lbs. [124 kg]**
Frequent use: Up to 200 lbs. [91 kg]*

Sidespace .75" + .030/ - .000 [19.1mm + .76/ - .00]

Travel Full Travel

Mounting Side mount only

Hardware Drawer: # 10 - 32 X .50" with #8 slotted pan head
Cabinet: # 10 - 32, 82° flat head crew

Movement Steel ball bearings

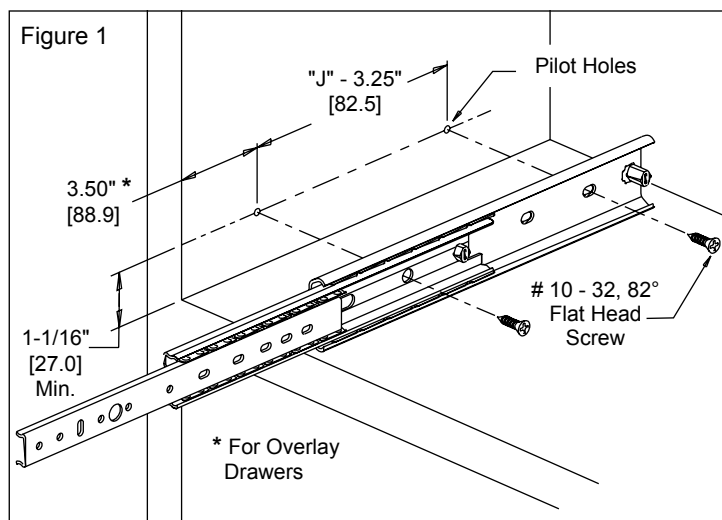
Features Hold-in detent

Part Number	Slide Length	Slide Travel	A	B	C	D	E	F	G	H	J
C3600-12	12.00 [305]	12.00 [305]				6.05 [154.0]	7.06 [179.4]	7.81 [198.4]	8.56 [217.5]	8.25 [209.6]	10.50 [266.7]
C3600-14	14.00 [356]	14.00 [356]				8.06 [204.8]	9.06 [230.2]	9.81 [249.2]	10.56 [268.3]	10.25 [260.4]	12.50 [317.5]
C3600-16	16.00 [406]	16.00 [406]	5.00 [127.0]			10.06 [255.6]	11.06 [281.0]	11.81 [300.0]	12.56 [319.1]	12.25 [311.2]	14.50 [368.3]
C3600-18	18.00 [457]	18.00 [457]	5.00 [127.0]		9.56 [242.9]	12.06 [306.4]	13.06 [331.8]	13.81 [350.8]	14.56 [369.9]	14.25 [362.0]	16.50 [419.1]
C3600-20	20.00 [508]	20.00 [508]	5.00 [127.0]	7.50 [190.5]	11.56 [293.7]	14.06 [357.2]	15.06 [382.6]	15.81 [401.6]	16.56 [420.7]	16.25 [412.8]	18.50 [469.9]
C3600-22	22.00 [559]	22.00 [559]	5.00 [127.0]	7.50 [190.5]	13.56 [344.5]	16.06 [408.0]	17.06 [433.4]	17.81 [452.4]	18.56 [471.5]	18.25 [463.6]	20.50 [520.7]
C3600-24	24.00 [610]	24.00 [610]	5.00 [127.0]	7.50 [190.5]	15.56 [395.3]	18.06 [458.8]	19.06 [484.2]	19.81 [503.2]	20.56 [522.3]	20.25 [514.4]	22.50 [571.5]
C3600-26	26.00 [660]	26.00 [660]	5.00 [127.0]	7.50 [190.5]	17.56 [446.1]	20.06 [509.6]	21.06 [535.0]	21.81 [554.0]	22.56 [573.1]	22.25 [565.2]	24.50 [622.3]
C3600-28	28.00 [711]	28.00 [711]	5.00 [127.0]	7.50 [190.5]	19.56 [496.9]	22.06 [560.4]	23.06 [585.8]	23.81 [604.8]	24.56 [623.9]	24.25 [616.0]	26.50 [673.1]

**Load rating based on a side mount testing criteria for model 3640A: a pair of 18" slides on a 42" wide drawer, cycled 75,000 times.

Installation Instructions

1. To ensure proper operation of the slides, make certain that all mounting screws are inserted so that the screw heads are inside the slides. (No washers on the inside of the slides.)
2. With slides fully extended, install slide outer members (largest) into cabinet using # 10 - 32, 82° flat head screws. See Figure 1. Be sure slides are parallel.
3. Mount drawer to extended slide inner members (smallest) using # 10 - 32 X .50" with #8 slotted pan head screws. See Figure 2. Leave all screws loose for final adjustment.
4. Adjust slide position until movement is smooth. Tighten all screws and if necessary use more to secure slides and complete installation.



Slide Ordering Instructions

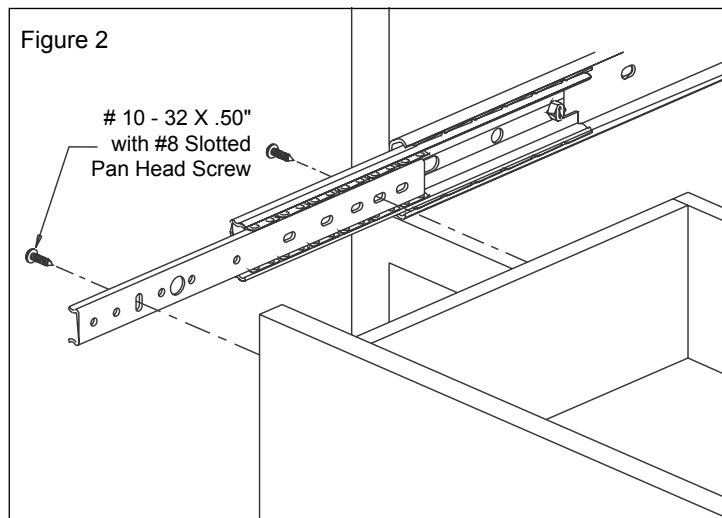
Complete your slide order for model 3600 by specifying the following:

Total Slides Required	10 each	C	3600	-18	D
Slide Finish					
Slide Model					
Slide Length					
Optional Polybag Packaging					
	<i>Includes mounting screws</i>				

Optional Screw Hardware Kit

Kit contains screws to mount one pair of slides.
Kit included with D-Pack. Kit ordered separately for bulk.

Total Hardware Kits Required	10 each	4180-0235-XE
Kit Part Number		



Packaging

Distributor (D) Pack: All lengths are packaged 5 pairs per box. Polybag includes one pair of slides packed with screws.

Bulk (P) Pack: Lengths 12"-20" 7 pair per box
Lengths 22"-28" 5 pair per box

Order screw hardware kit separately. (P/N 4180-0235-XE)

Specifications

Slide members: Cold rolled steel
Ball retainers: Cold rolled steel
Ball bearings: Carburized steel
RoHs Compliant

Note: Specifications, materials, prices, terms, and delivery are subject to change without notice.

Accuride

ACCURIDE INTERNATIONAL INC.

12311 Shoemaker Avenue
Santa Fe Springs, CA 90670

TEL (562) 903-0200

FAX (562) 903-0208

www accuride.com

Manufacturing, Engineering, and Sales

United States • Germany • Japan • Mexico • United Kingdom • China

Copyright © 2018 Accuride International Inc. 3700-9291(9076)-MK029-R5-0518