



3600AD

Adjustable Detent
Load capacity up to 200 lbs. [91 Kg.]**

Applications:

Utility and industrial toolboxes, service carts, storage trays and other mobile applications.

Finish	Zinc (C), zinc with moisture resistant coating (CH), and black electroplate (CB)
Lengths	From 14"–28" [356 mm–711 mm]
Height	2.09" ± .030" [53.1 ± 0.76 mm]
Side Space	.75" [19.1 mm]
Travel	Full extension
Load Rating	200 lbs. [91 kgs.]**
Ball Bearings	Carburized steel (C/CB finishes) Stainless steel (CH finish)
Mounting	Side mount

* Check for availability.

** Load rating is based on 18" [457 mm] slides on an 42" [1067 mm] wide drawer cycled 100,000 times. Load rating may vary based on application specifics.

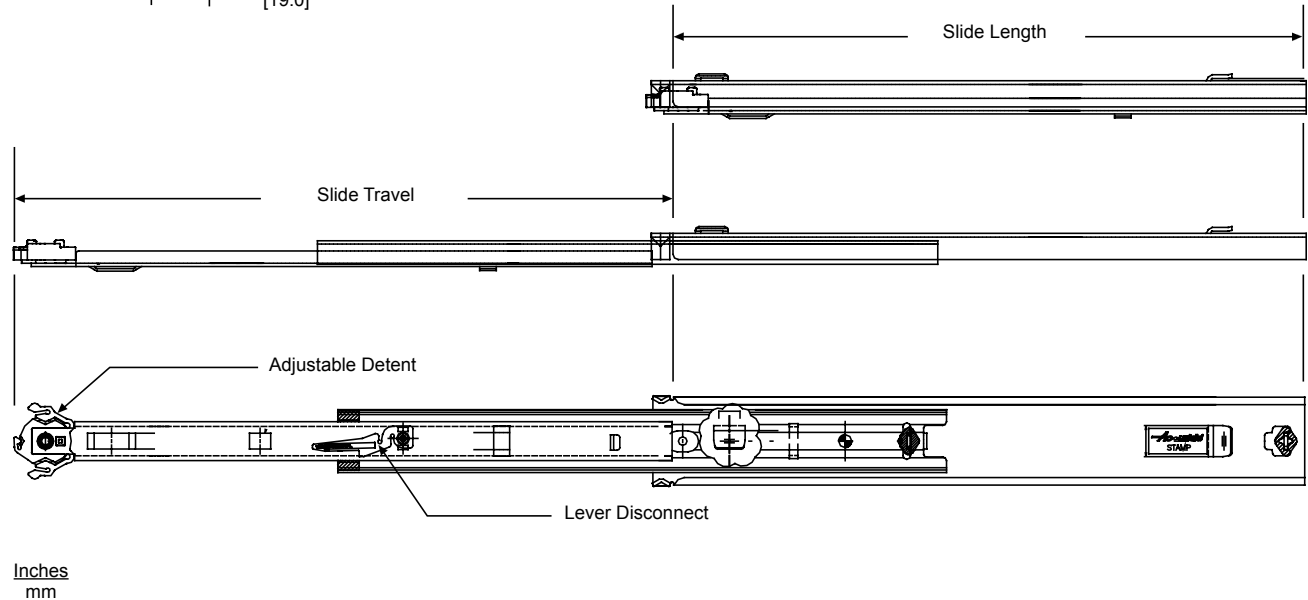
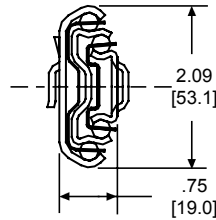
ACCURIDE INTERNATIONAL INC.

12311 Shoemaker Avenue
Santa Fe Springs, CA 90670

TEL (562) 903-0200
FAX (562) 903-0208
www accuride.com

Manufacturing, Engineering, and Sales
United States • Japan • United Kingdom • Mexico • Germany • China

Copyright © 2015 Accuride International Inc. MK146-R1-0215



Features

- Offers tool-less and customizable hold-in detent adjustment at the front of the slide.
- Range of adjustment is 4 lbs. (± 1.5 lbs.) to 24 lbs. (± 1.5 lbs.).***
- Silenced for quiet operation.
- Lever disconnect.
- High-Low temperature grease used for lubrication.
- RoHS compliant

Options

- Customization available for lift-off drawer disconnects.
- Custom metal and polymer brackets and slide sleeves, shrouds, or holders available.

*** Check for recommendations and restrictions depending upon applications.

For more information contact us at oemdirect@accuride.com or call 1-800-938-0186