



# 8100

Flat mount  
Captive travel with dampened movement

## Applications:

Sliding arm rests, under seat storage, seat adjustment, loading platforms, or other storage solutions requiring controlled movement or positioning.

<b>Finish</b>	Zinc (C) or Black Electrop late (CB)*
<b>Lengths</b>	Custom*
<b>Height</b>	.48" [12.1 mm]
<b>Side Space</b>	3.35" [85.0 mm]
<b>Travel</b>	Captive linear travel based on slide length**
<b>Load Rating</b>	Dependent upon application specifics
<b>Ball Bearings</b>	Carburized steel
<b>Mounting</b>	Horizontal or flat mount

\* Check for availability.

\*\* Check for recommendations and restrictions depending upon applications.

ACCURIDE INTERNATIONAL INC.

12311 Shoemaker Avenue  
Santa Fe Springs, CA 90670

TEL (562) 903-0200

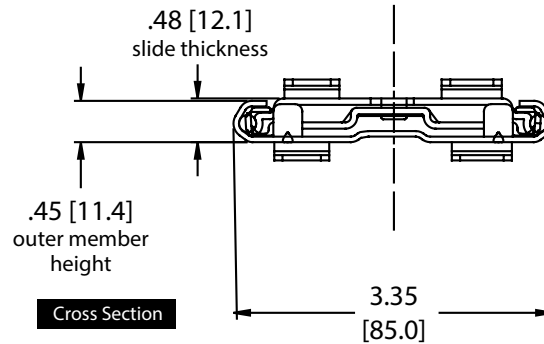
FAX (562) 903-0208

www.accuride.com

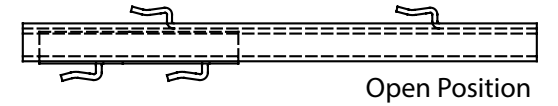
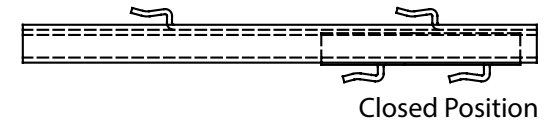
Manufacturing, Engineering, and Sales

United States • Japan • United Kingdom • Mexico • Germany • China

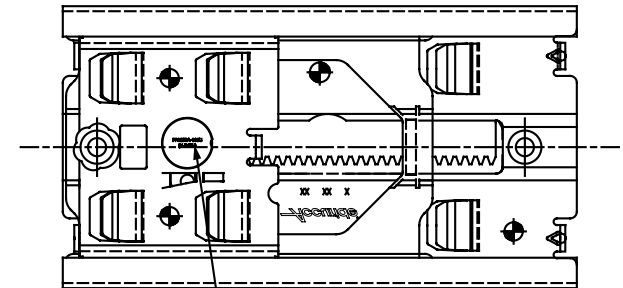
Copyright © 2015 Accuride International Inc. MK146-R1-0215



Inches  
mm



Side View



Bottom View

## Features

- Controlled movement achieved through rotary- or friction-style dampener.
- Silenced for quiet operation.
- Compact profile
- Non disconnect.
- High-Low temperature grease used for lubrication.
- RoHS compliant

## Options

- Mounting features may be customized.
- Detent available

For more information contact us at [oemdirect@accuride.com](mailto:oemdirect@accuride.com) or call 1-800-938-0186