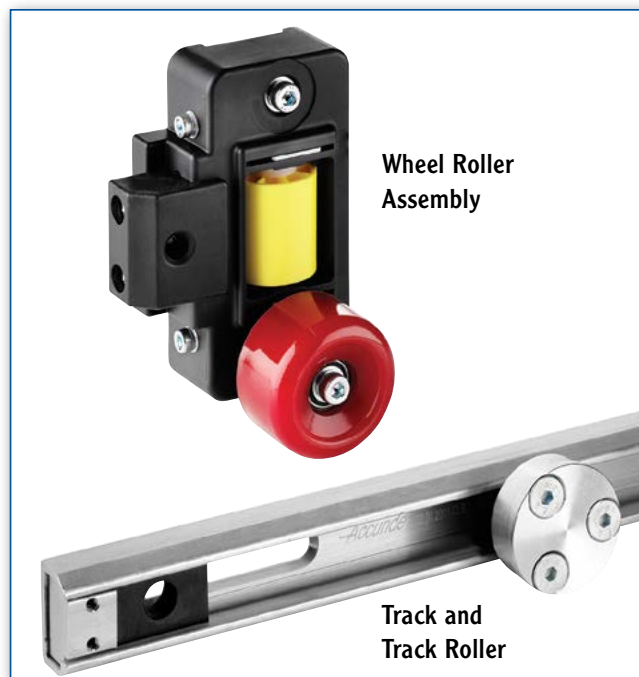


Models AL4190 Tilt Track System

- Up to 140-lb. load rating
- Customized Tilt Angle
- Easy to fit and fully adjustable



Emergency Vehicles



Retail Storage

Model AL4190 Tilt Track System

Model AL4190 is a TiltTrack System that enables access to drawers or trays installed at shoulder level and above. The system uses wheels and rollers to extend the drawer, and an aluminum channel guides the back of the drawer upward as it slides out of the case, tilting the drawer downward for easy viewing and access to contents.

Applications

Drawers and trays used for supply and equipment storage in emergency vehicles, warehouses and manufacturing facilities, retail fixtures, commercial kitchens, restaurants, medical facilities, and garages.

Features & Benefits

- The **tilt action** provides access to drawer contents at shoulder height and above.
- Up to **140-lb. load rating** for durable performance.
- Accommodates drawers up to **40" wide**.
- **Lightweight and corrosion-resistant** aluminum tracks available in lengths of 24" and 40" (dimensions approximate). Track can be cut down to customize length.
- The angle of tilt can be altered by the installer and varies depending on the angle of the track and positioning of the bumper stops.
- Roller wheel assembly smoothes movement and dampens tilt-down action, even when fully loaded. Adjustment to fit the drawer is achieved via adjustment screws at the front of the assembly.
- **Non-disconnect** for added strength and safety.
- Compatible with CBHand-2 Locking Handle Kit, which provides lock-in capability.

Components

Model AL4190 is sold as a kit that includes: 2 each aluminum tracks, wheel roller assembly, track rollers, and cover caps; and, 4 each bumper stops and end stops.

Authorized Distributor



Residential Garages, Kitchens or Closet Storage



End stop and bumper stops included



*Compatible with
CBHand-2 Locking
Handle Kit*

Accuride

12311 Shoemaker Avenue
Santa Fe Springs, CA 90670
562 903-0200 Telephone
562 903-0208 Fax
www.accuride.com

Follow us

