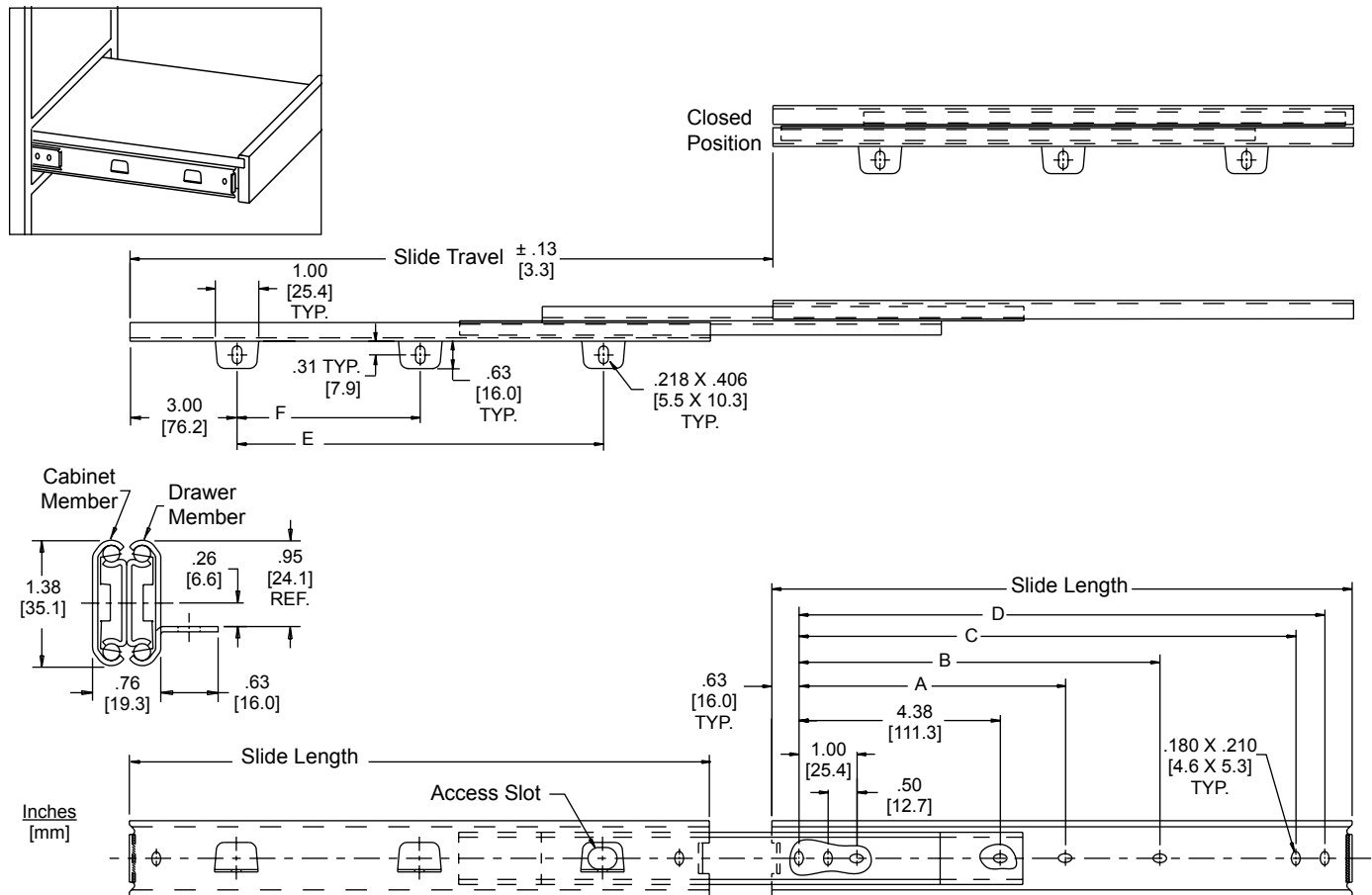


APPLICATIONS: Use model 322 whenever a medium duty pull-out shelf is required. For use in kitchen appliance drawers, pan shelves, and entertainment center shelves.

Pull-Out Shelf Slide
100 lb.* [45.5 kg.] Capacity



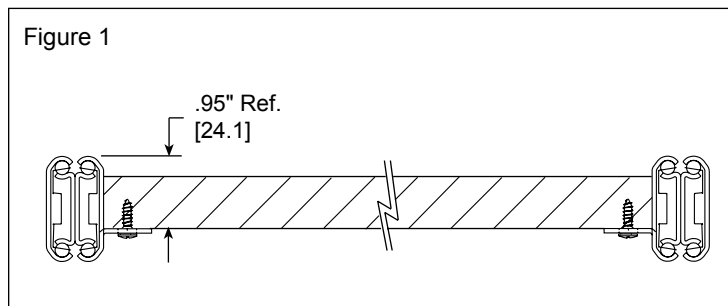
- Finishes** Bright electro-zinc (C) or black zinc (CB) plating
- Lengths** 12" to 28" [305mm to 711mm]
- Height** 1.38" [35.1mm]
- Load** 100 lbs. [45.5 kg.] per pair
- Sidespace** .76" + .030 / - .000 [19.3mm + .76mm / -.00]
- Travel** Slide length plus .88" [22.4mm]
- Mounting** Outer member tabs
- Hardware** #8 pan head screws
- Features** Silenced open and closed

* Load rating based on an 18" slide on a 16" wide shelf cycled 10,000 times.

Slide Length	Slide Travel	A	B	C	D	E	F
12.00 [305]	12.88 [327]		5.88 [149.4]	10.25 [260.4]	10.75 [273.1]	6.00 [152.4]	
14.00 [356]	14.88 [378]		7.88 [200.2]	12.25 [311.2]	12.75 [323.9]	8.00 [203.2]	
16.00 [406]	16.88 [429]		9.88 [251.0]	14.25 [362.0]	14.75 [374.7]	10.00 [254.0]	
18.00 [457]	18.88 [480]	8.38 [212.8]	11.88 [301.8]	16.25 [412.8]	16.75 [425.5]	12.00 [304.8]	
20.00 [508]	20.88 [530]	9.38 [238.2]	13.88 [352.6]	18.25 [463.6]	18.75 [476.3]	14.00 [355.6]	
22.00 [559]	22.88 [581]	10.38 [263.7]	15.88 [403.4]	20.25 [514.4]	20.75 [527.1]	16.00 [406.4]	8.00 [203.2]
24.00 [610]	24.88 [632]	11.38 [289.1]	17.88 [454.2]	22.25 [565.2]	22.75 [577.9]	18.00 [457.2]	9.00 [228.6]
26.00 [660]	26.88 [683]	12.38 [314.5]	19.88 [505.0]	24.25 [616.0]	24.75 [628.7]	20.00 [508.0]	10.00 [254.0]
28.00 [711]	28.88 [734]	13.38 [339.9]	21.88 [555.8]	26.25 [666.8]	26.75 [679.5]	22.00 [558.8]	11.00 [279.4]

Slide Installation

1. Mark a line on both cabinet walls at least 3/4" [19.1 mm] above the cabinet floor. Mark a point on these lines 3/4" [19.1mm] back from the fascia or front of the shelf. This provides 1/8" [3.2 mm] clearance to the shelf fascia (where used).
2. From the rearmost horizontal mounting slot of the slide (cabinet member side), measure the distance between it and the frontmost mounting slot. Mark a second point along the cabinet wall line with the equivalent dimension. Drill 3/32" [2.3 mm] pilot holes 1/2" [12.7 mm] deep at these points and install the #8 screws through the slide cabinet members.
3. Cut shelf 1/8" narrower than distance between slides. Extend slides just far enough to allow access to mounting tabs. Position shelf on tabs 1/8" [3.2 mm] forward of slide ends. Mark tab slots on underside of shelf. Drill 3/32" [2.3 mm] pilot holes, 1/2" [12.7 mm] deep in the center of slot markings. See Figure 1.



Slide Ordering Instructions

Complete your slide order for Accuride pull-out shelf slide model 322 by specifying the following:

	5 Pair	C	322	-12	D
Total Required Slides _____					
Slide Finish _____					
Slide Model _____					
Slide Length _____					
Optional Polybag Packaging - (includes screws) _____					

Packaging

Distributor (D) Pack: Lengths 12" - 28" 5 pair per box
Individually packaged in polybag with 1 pair of slides and mounting screws.

Production Pack: Lengths 12" - 22" 20 each per box
Lengths 24" - 28" 10 each per box

Right hand slides and left hand slides boxed separately. Slides and screws are ordered and packaged separately.

Specifications

Slide members and ball retainers: Cold rolled steel
Ball bearings: Carburized steel
RoHs compliant

Note: Specifications, materials, prices, terms and delivery are subject to change without notice.



ACCURIDE INTERNATIONAL INC.

12311 Shoemaker Avenue
Santa Fe Springs, CA 90670

TEL (562) 903-0200

FAX (562) 903-0208

www accuride.com

Manufacturing, Engineering, and Sales

United States • Germany • Japan • Mexico • United Kingdom • China